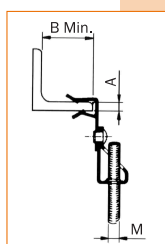
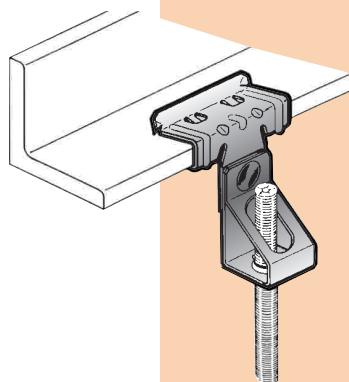




Elementos de fijación rápida  
Elements de fixation rapide

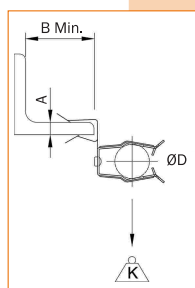
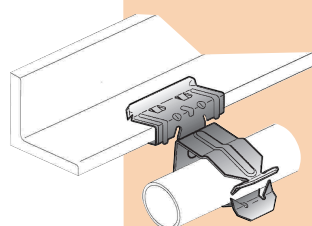
Quick attachment devices  
Schnellen befestigungselemente



A mm.	B mm.	M	Kg.		Negro / Noire / Black / Schwarze Cód.	Ref.	€/100
1,5 - 4	18	M6	70	100	10013049	FH4-ICA6 (100-210)	<b>67,80</b>
1,5 - 4	18	M8	70	100	10013050	FH4-ICA8 (100-211)	<b>67,80</b>
1,5 - 4	18	M10	70	100	10013051	FH4-ICA10 (100-212)	<b>67,80</b>
4 - 10	25	M6	70	100	10013064	FH10-ICA6 (101-210)	<b>84,00</b>
4 - 10	25	M8	70	100	10013065	FH10-ICA8 (101-211)	<b>84,00</b>
4 - 10	25	M10	70	100	10013066	FH10-ICA10 (101-212)	<b>84,00</b>
10 - 15	25	M6	70	100	10013079	FH15-ICA6 (102-210)	<b>88,00</b>
10 - 15	25	M8	70	100	10013080	FH15-ICA8 (102-211)	<b>88,00</b>
10 - 15	25	M10	70	100	10013081	FH15-ICA10 (102-212)	<b>88,00</b>
15 - 20	25	M6	70	100	10013094	FH20-ICA6 (103-210)	<b>102,20</b>
15 - 20	25	M8	70	100	10013095	FH20-ICA8 (103-211)	<b>102,20</b>
15 - 20	25	M10	70	100	10013096	FH20-ICA10 (103-212)	<b>102,20</b>

Acabado / Finition / Finishing / Endverarbeitung: SINARD

1,5 - 4	18	M6	70	100	1001304950	FH4-ICA6 DT (100-210 DT)	<b>88,10</b>
1,5 - 4	18	M8	70	100	1001305050	FH4-ICA8 DT (100-211 DT)	<b>88,10</b>
1,5 - 4	18	M10	70	100	1001305150	FH4-ICA10 DT (100-212 DT)	<b>88,10</b>
4 - 10	25	M6	70	100	1001306450	FH10-ICA6 DT (101-210 DT)	<b>109,30</b>
4 - 10	25	M8	70	100	1001306550	FH10-ICA8 DT (101-211 DT)	<b>109,30</b>
4 - 10	25	M10	70	100	1001306650	FH10-ICA10 DT (101-212 DT)	<b>109,30</b>
10 - 15	25	M6	70	100	1001307950	FH15-ICA6 DT (102-210 DT)	<b>114,30</b>
10 - 15	25	M8	70	100	1001308050	FH15-ICA8 DT (102-211 DT)	<b>114,30</b>
10 - 15	25	M10	70	100	1001308150	FH20-ICA10 DT (102-212 DT)	<b>114,30</b>
15 - 20	25	M6	70	100	1001309450	FH20-ICA6 DT (103-210 DT)	<b>132,80</b>
15 - 20	25	M8	70	100	1001309550	FH20-ICA8 DT (103-211 DT)	<b>132,80</b>
15 - 20	25	M10	70	100	1001309650	FH20-ICA10 DT (103-212 DT)	<b>132,80</b>



A mm.	B mm.	ØD mm.	Kg.		Cód.	Ref.	€/100
-------	-------	--------	-----	--	------	------	-------

Acabado / Finition / Finishing / Endverarbeitung: SINARD

1,5 - 4	18	18-22	7	100	1001354350	FH4-IC22 DT (100-280 DT)	<b>81,80</b>
1,5 - 4	18	22-30	7	100	1001354450	FH4-IC30 DT (100-281 DT)	<b>85,80</b>
1,5 - 4	18	30-35	7	100	1001354550	FH4-IC35 DT (100-282 DT)	<b>90,40</b>
4 - 10	25	18-22	7	100	1001354650	FH10-IC22 DT (101-280 DT)	<b>96,80</b>
4 - 10	25	22-30	7	100	1001354750	FH10-IC30 DT (101-281 DT)	<b>100,80</b>
4 - 10	25	30-35	7	100	1001354850	FH10-IC35 DT (101-282 DT)	<b>105,60</b>
10 - 15	25	18-22	7	100	1001354950	FH15-IC22 DT (102-280 DT)	<b>102,40</b>
10 - 15	25	22-30	7	100	1001355050	FH15-IC30 DT (102-281 DT)	<b>106,40</b>
10 - 15	25	30-35	7	100	1001355150	FH15-IC35 DT (102-282 DT)	<b>111,00</b>
15 - 20	25	18-22	7	100	1001355250	FH20-IC22 DT (103-280 DT)	<b>107,50</b>
15 - 20	25	22-30	7	100	1001355350	FH20-IC30 DT (103-281 DT)	<b>111,50</b>
15 - 20	25	30-35	7	100	1001355450	FH20-IC35 DT (103-282 DT)	<b>116,30</b>